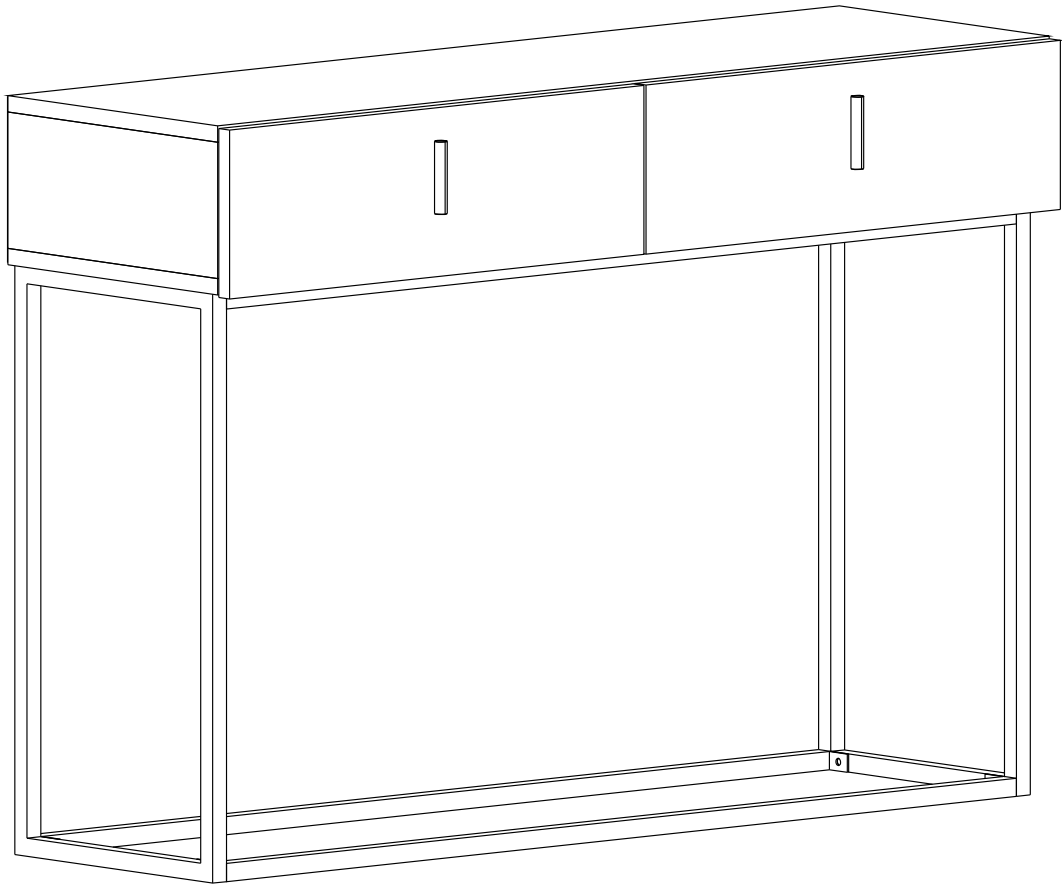
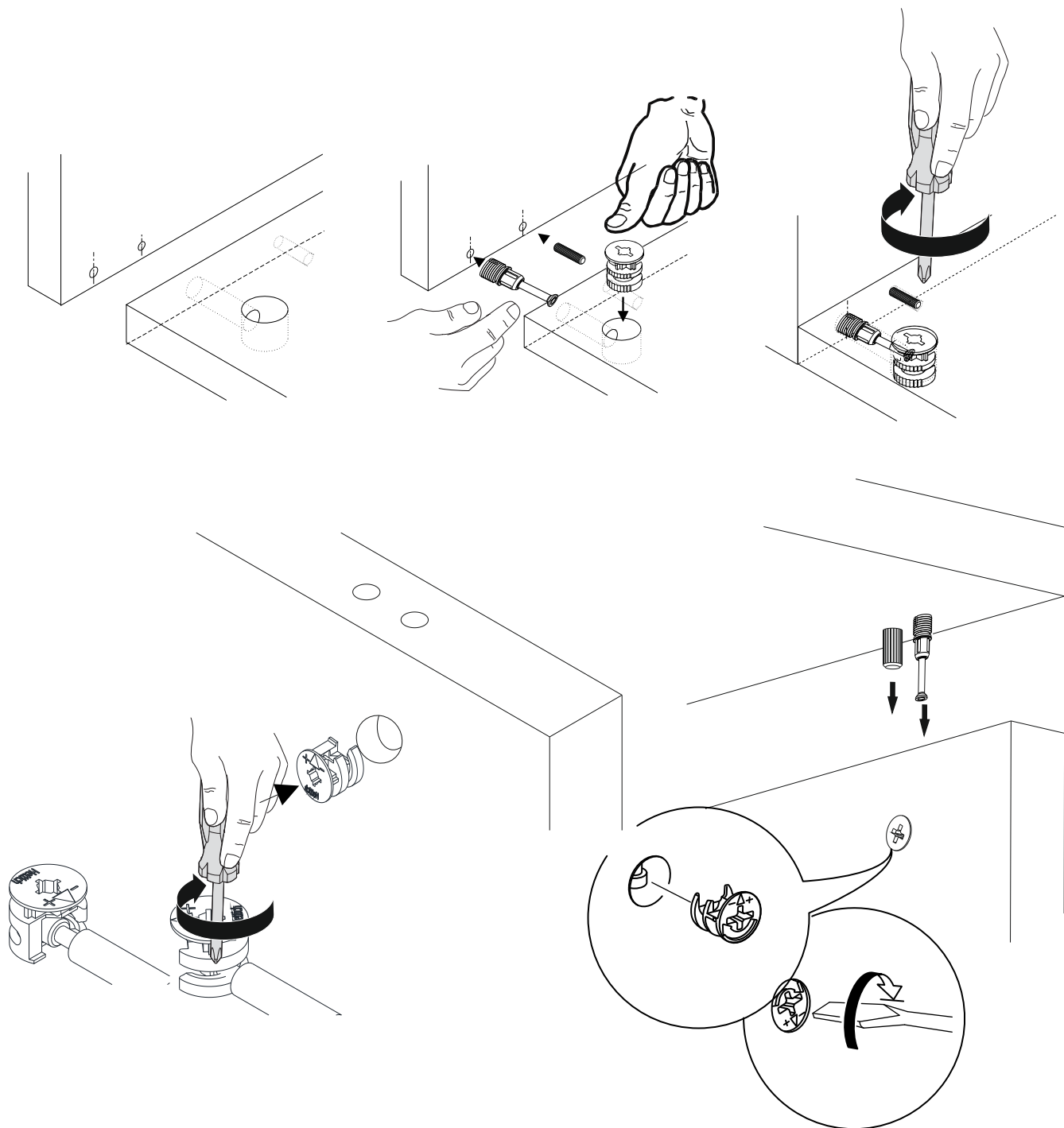
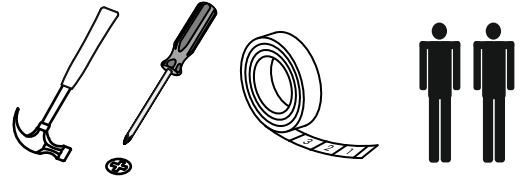




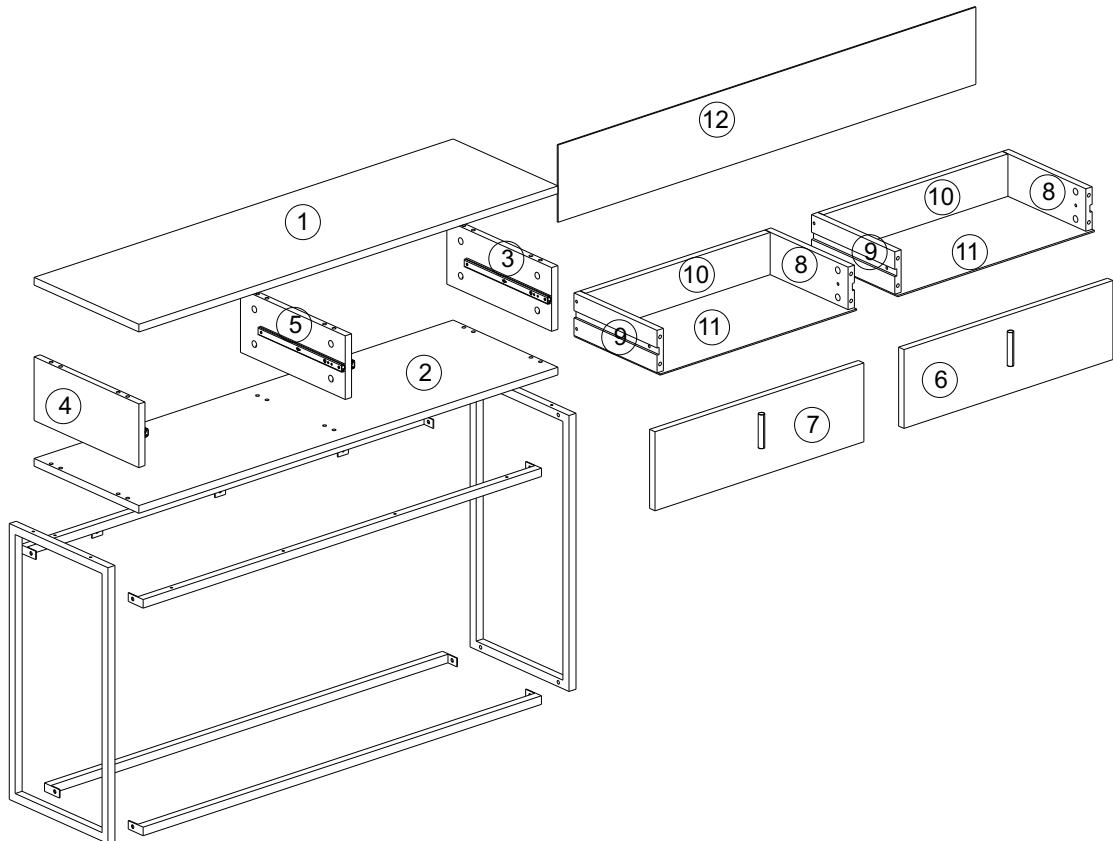
REDF306



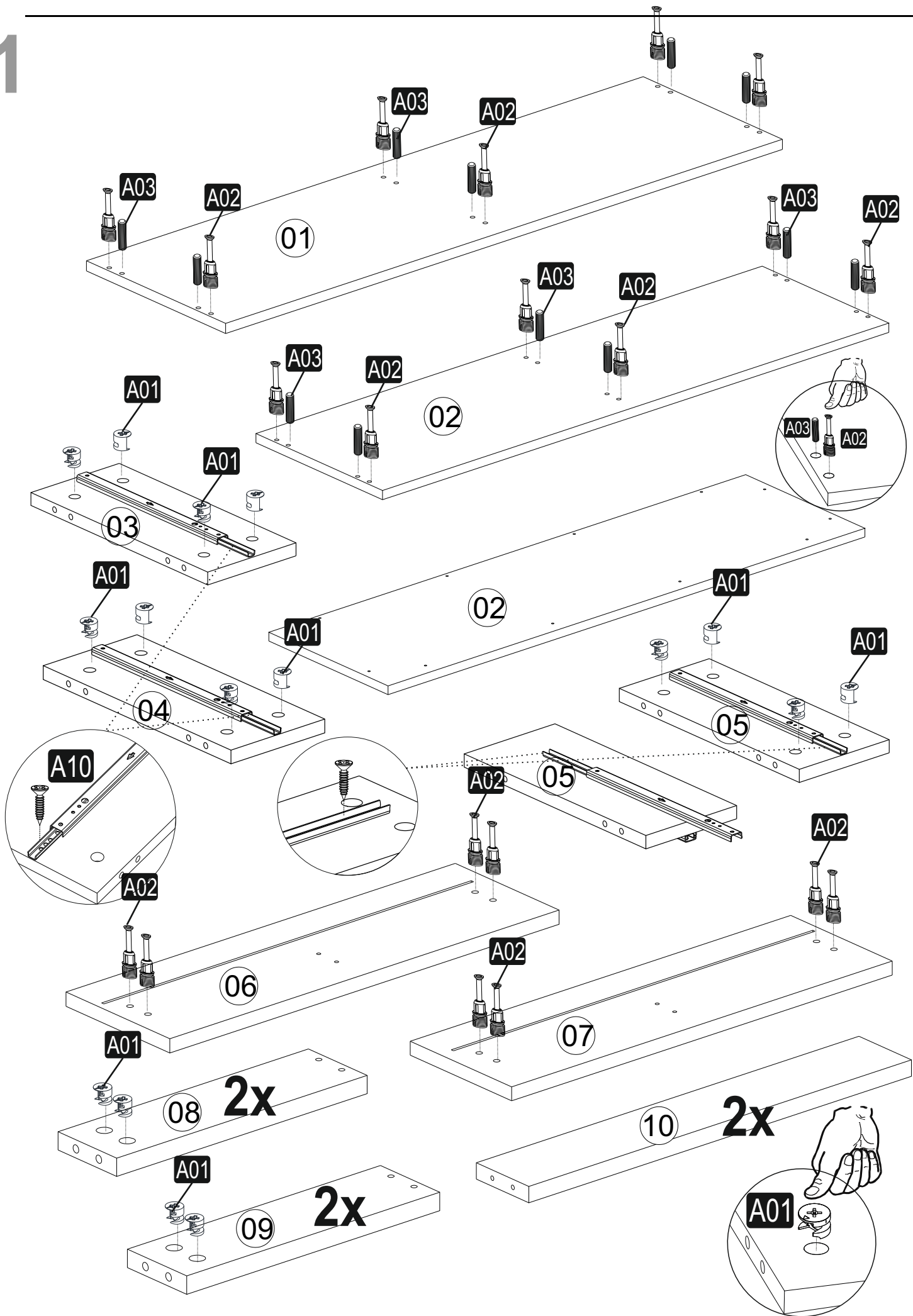




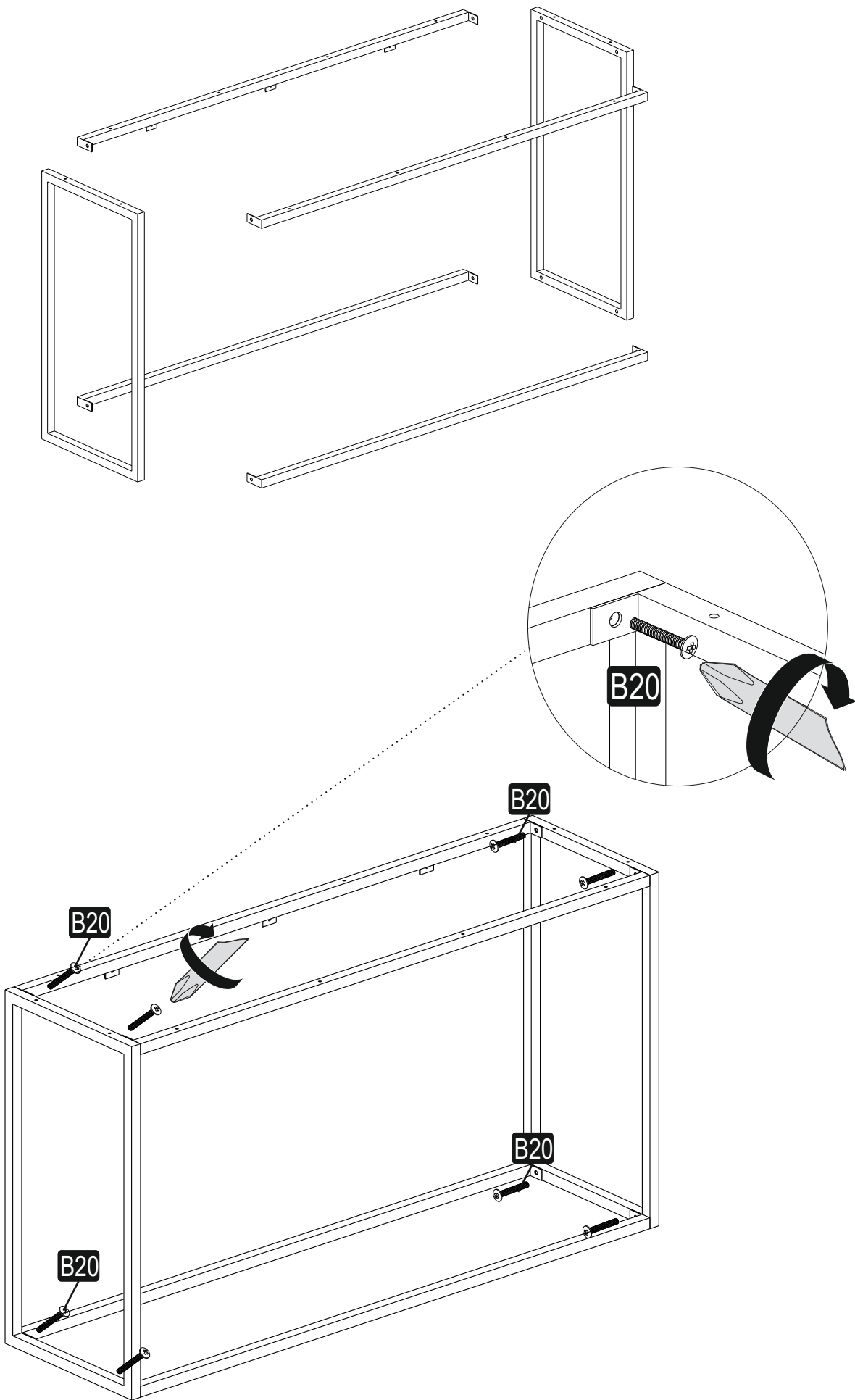
A01 20x	A02 20x	A03 12x	A04 A 20x	A38 3,5x35 YHB 12x
A09 4x50 YHB 11x	A28 32x	A10 3,5x18 YHB 8x	D08 17MM*L 278 MM 2x	B20 M6x10 YHB 8x
A14 M4x22 4x	C62 2x	A08 Ø8 3x	A16 8x	C83 1x <small>DKR-116 H1140*20</small>
C80 <small>DKR-113 H650*330</small> 1x	C81 <small>DKR-114 H1140*20</small> 1x	C82 <small>DKR-114 H1140*20</small> 1x	D09 M4x15 YHB 4x	C59 1x

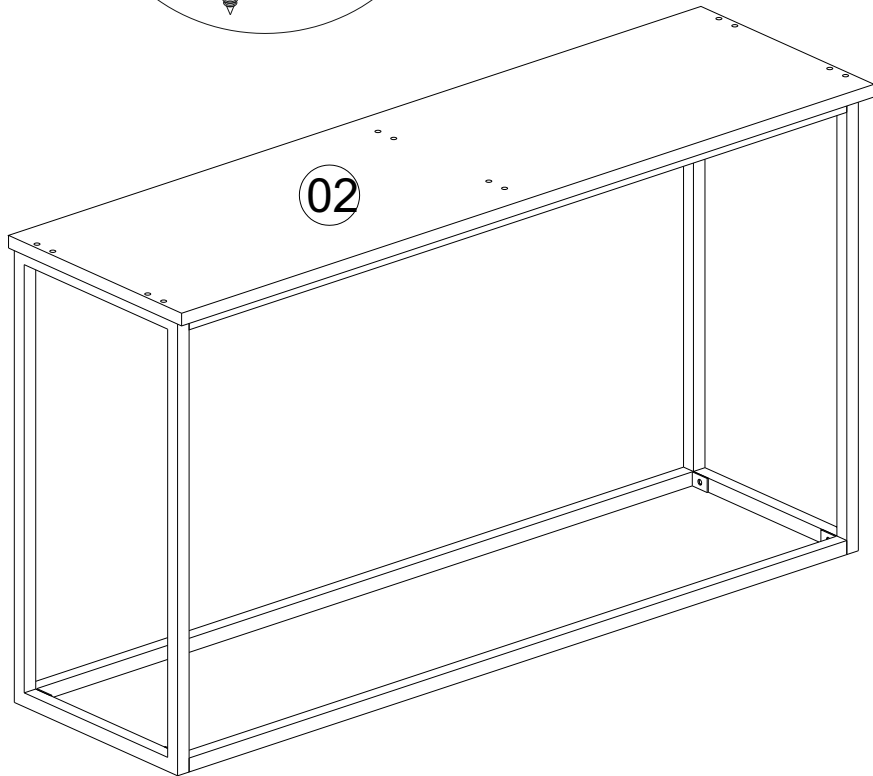
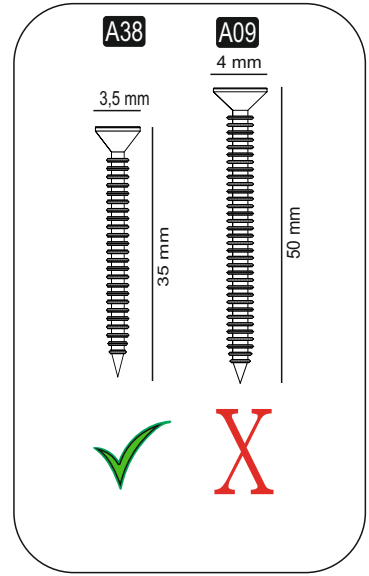
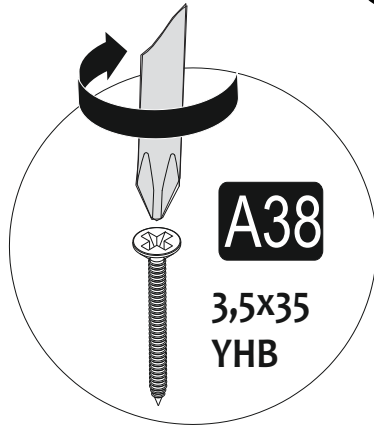
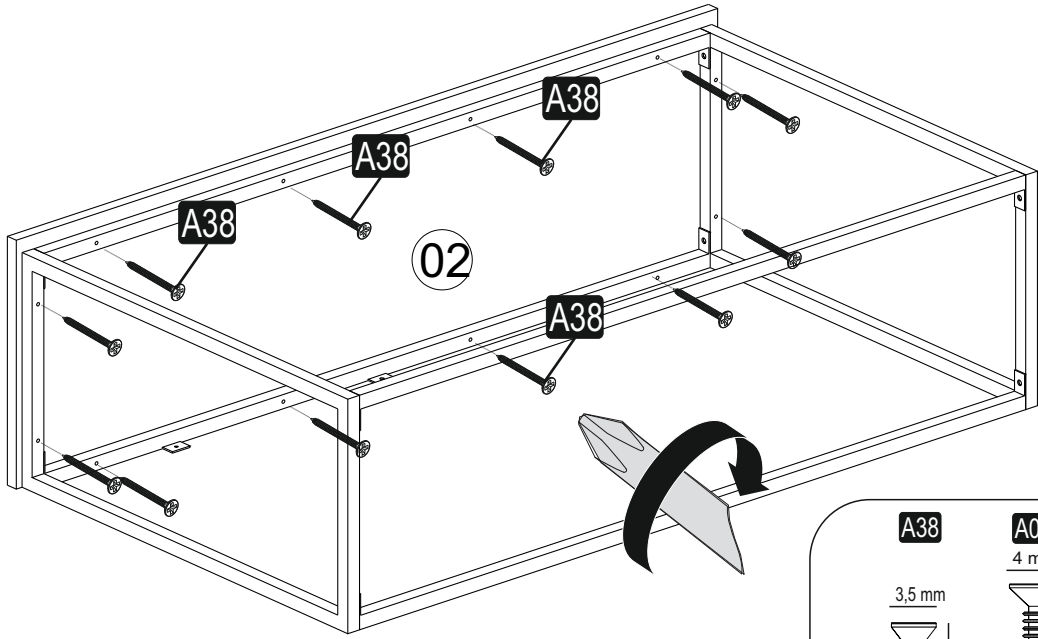


1

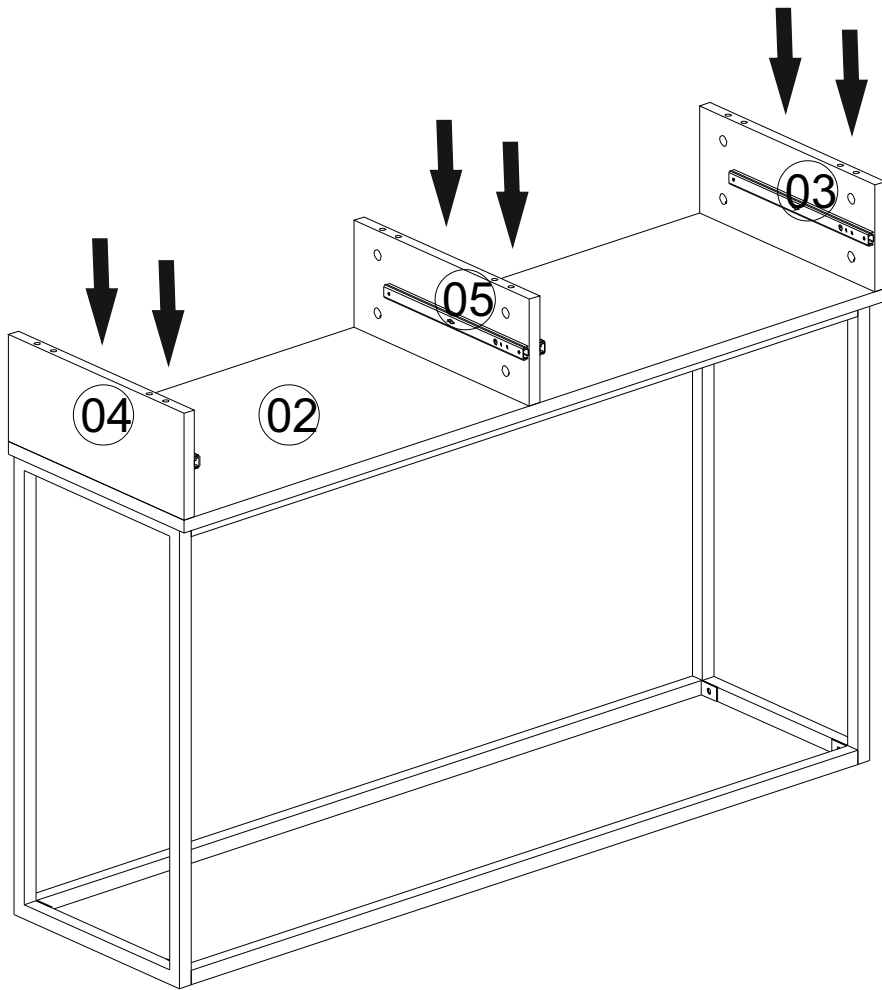


2

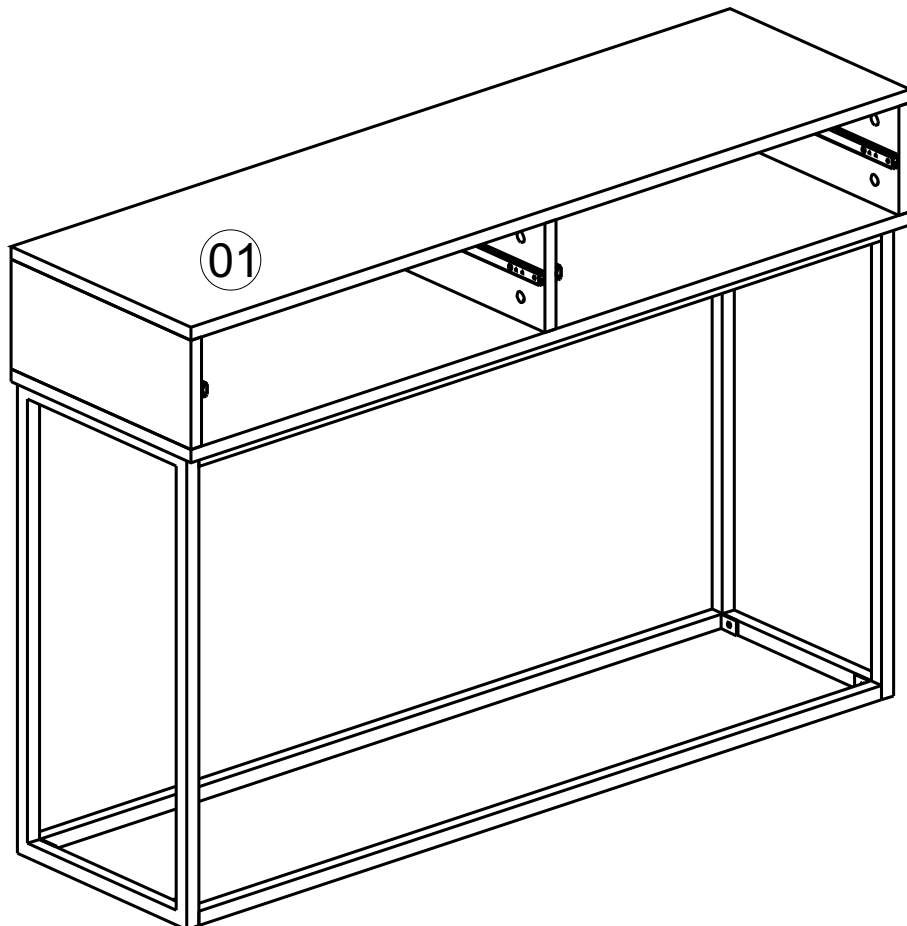




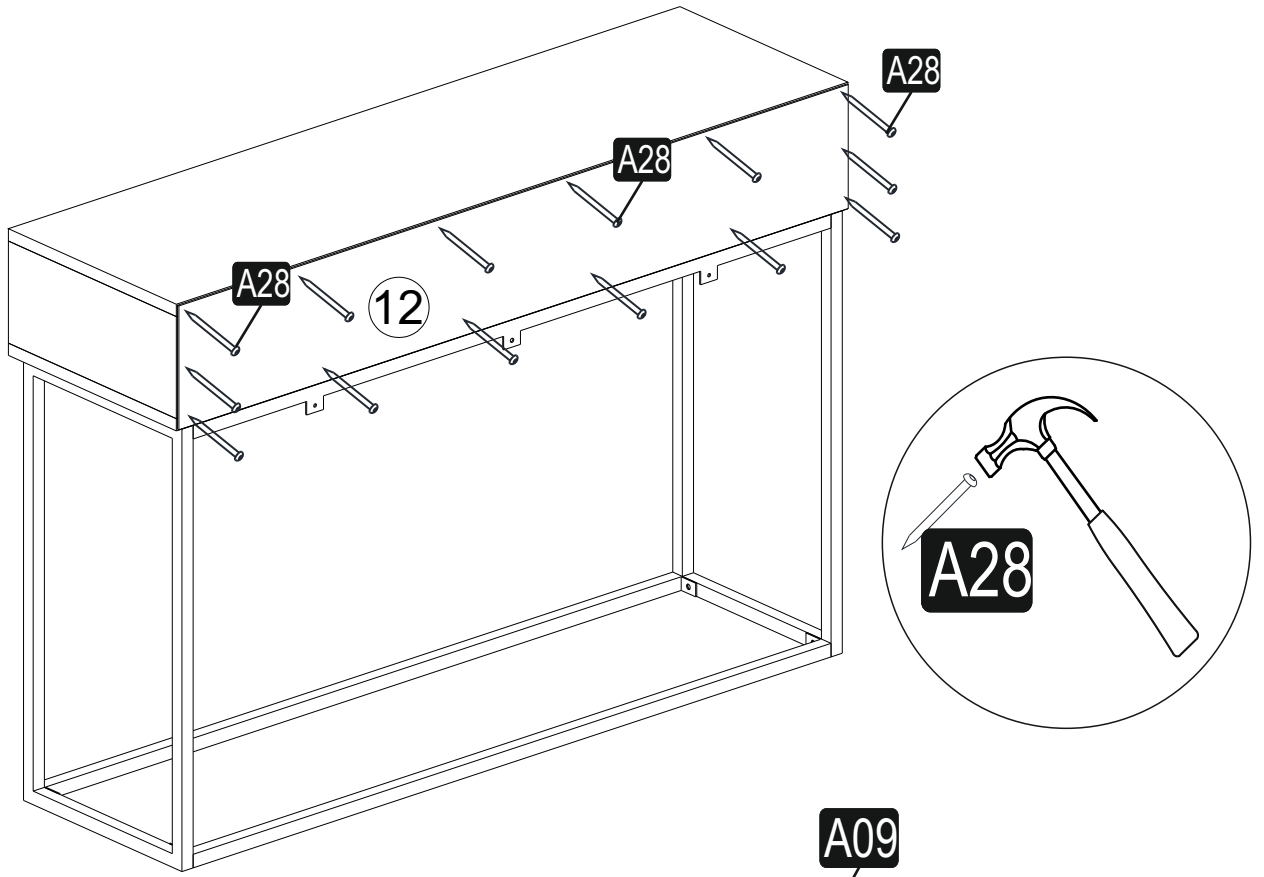
4



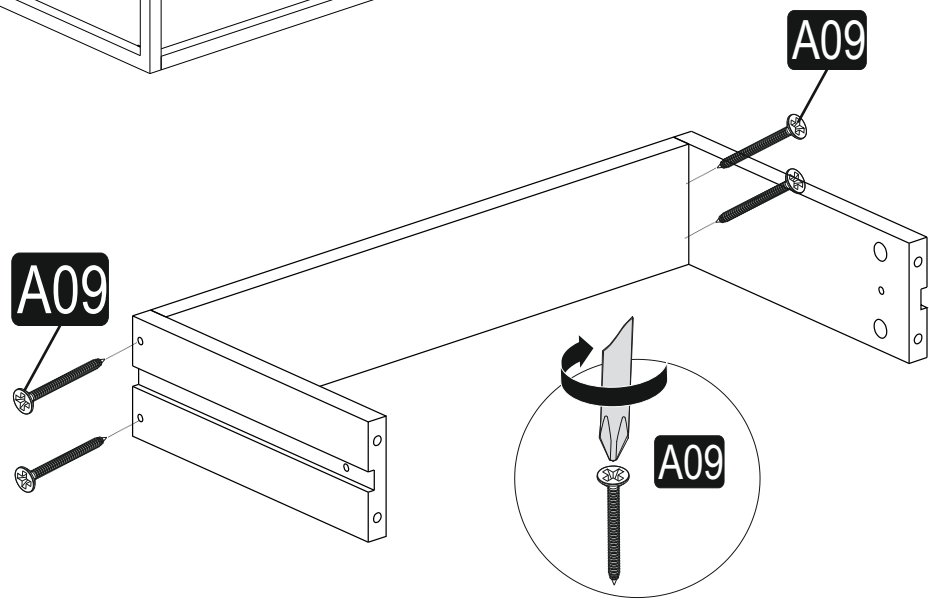
5



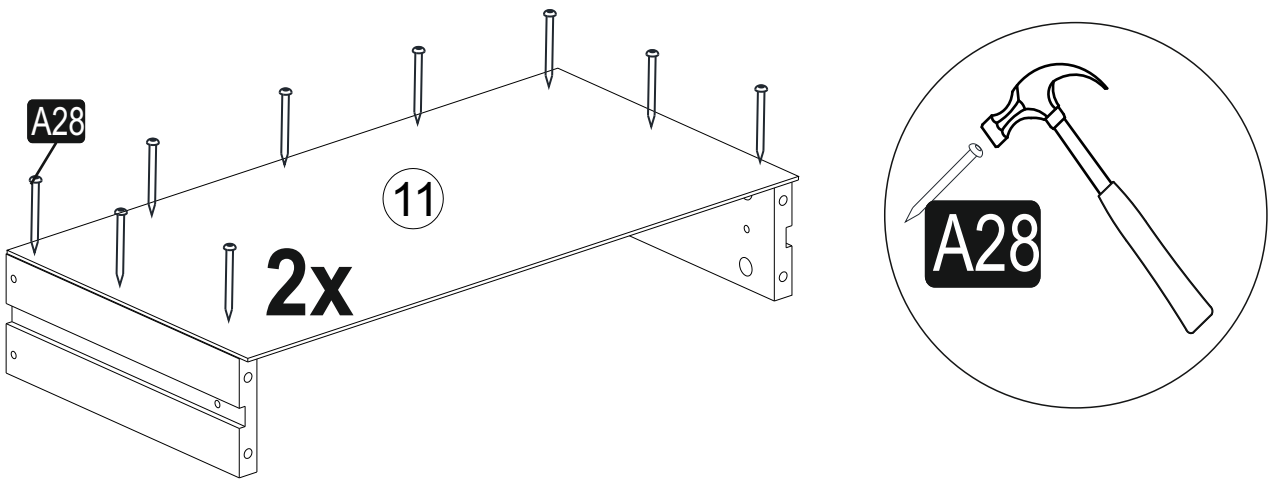
6



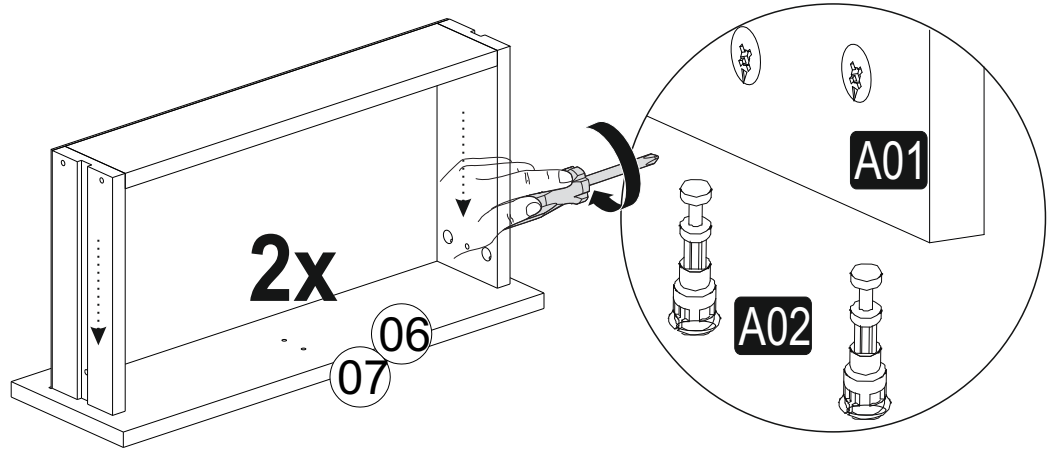
7



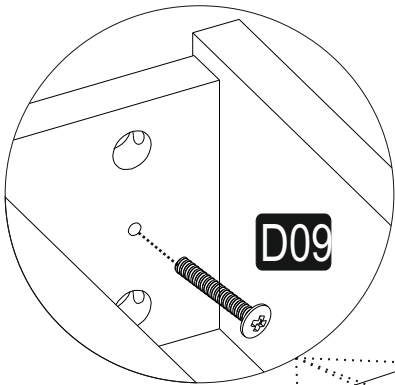
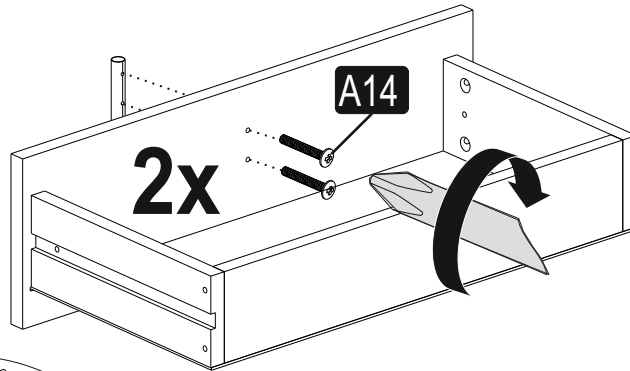
8



9



10



11

